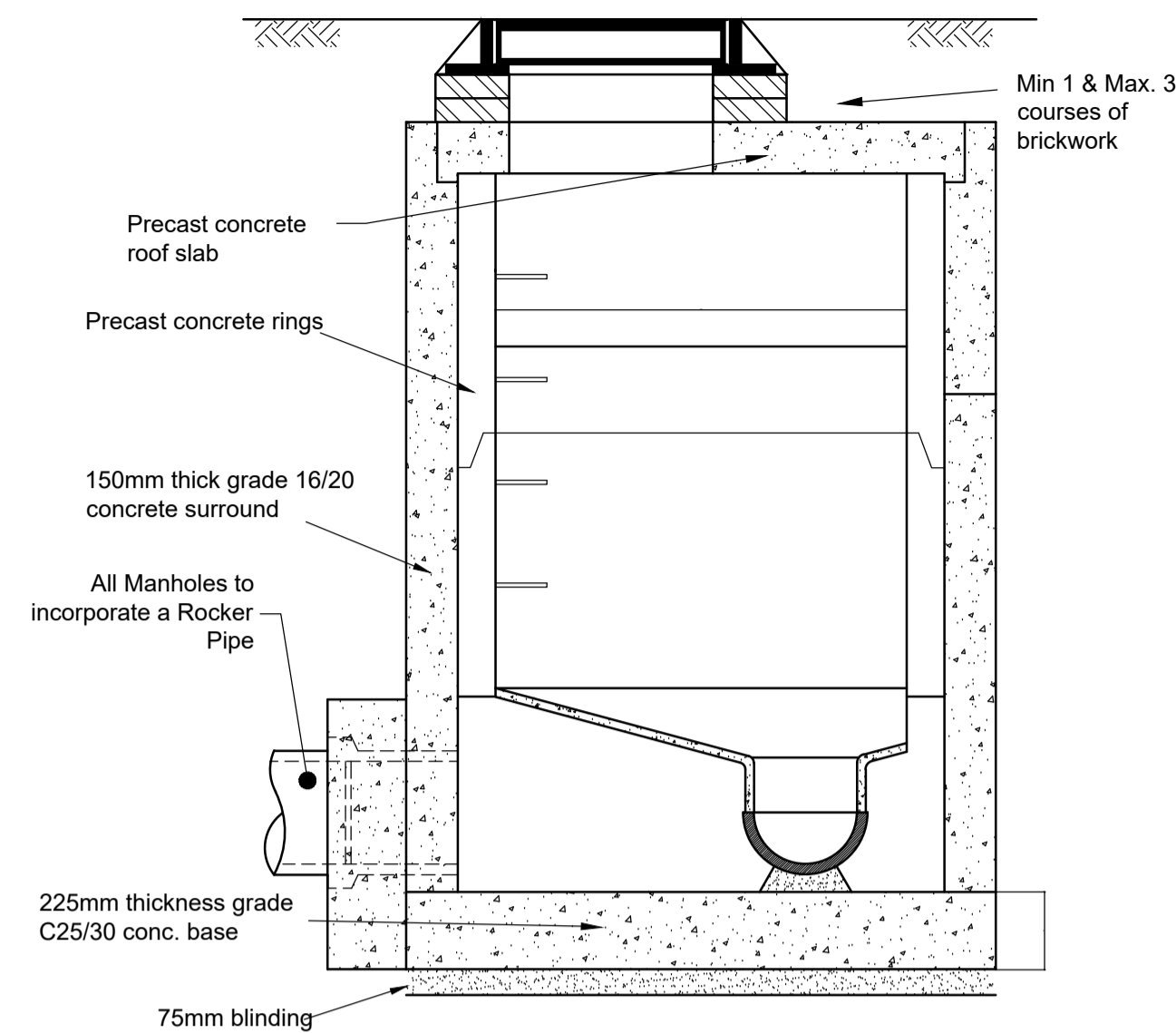
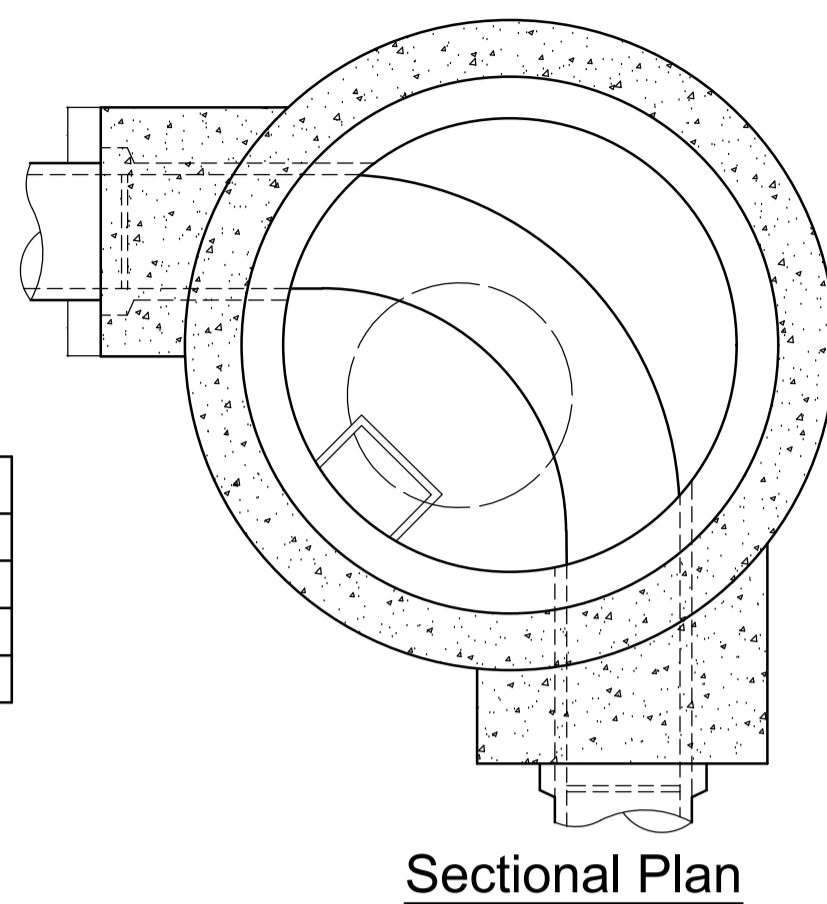


CORNER MANHOLE SIZES	
PIPE DIA. mm	MANHOLE SIZE DIA.
100 - 300	1.2m Ø
375 - 525	1.5m Ø
600 - 700	1.8m Ø

MANHOLE SIZES	
PIPE DIA. mm	Manhole Size Ø
100 - 450	1.2m Ø
525 - 750	1.5m Ø

ROCKER PIPES	
PIPE DIA. mm	ROCKER PIPE LENGTH
150 - 600	0.60m
600 - 750	1.0m
750 <	1.25m

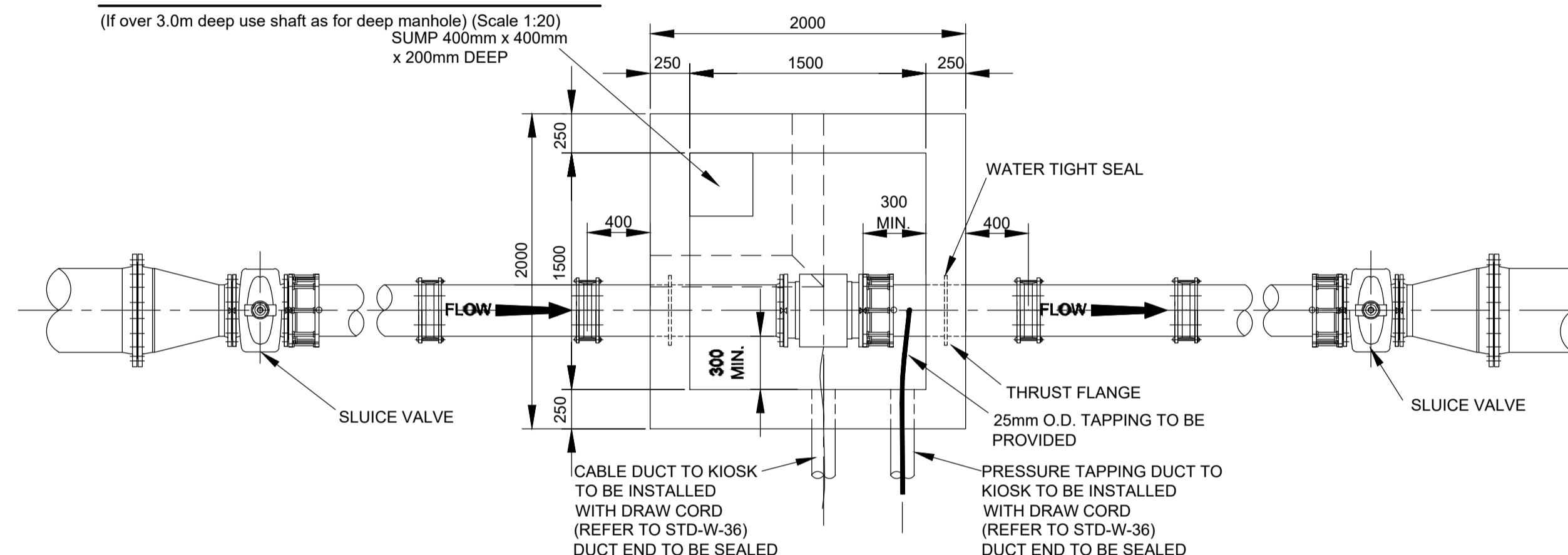
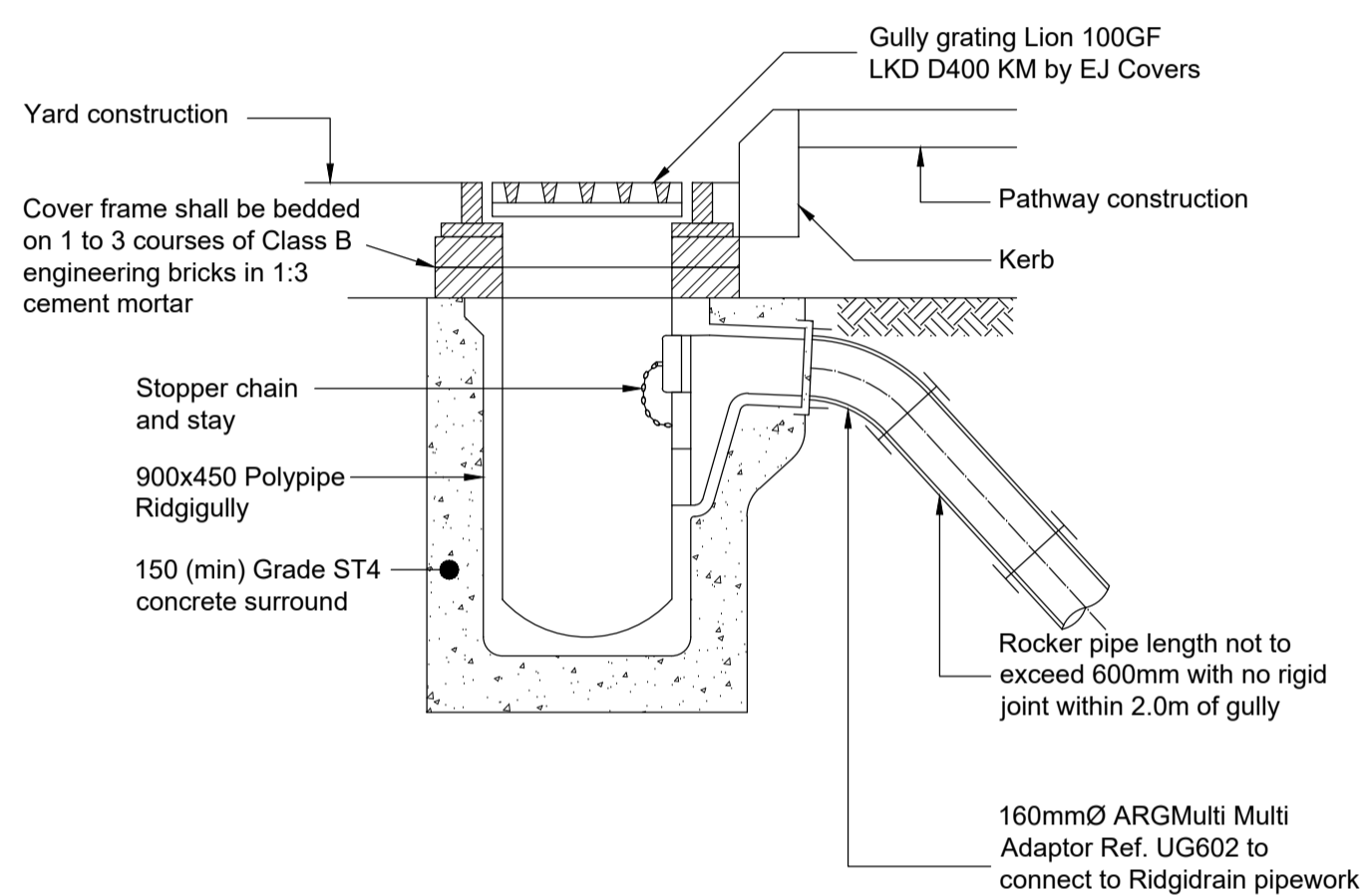
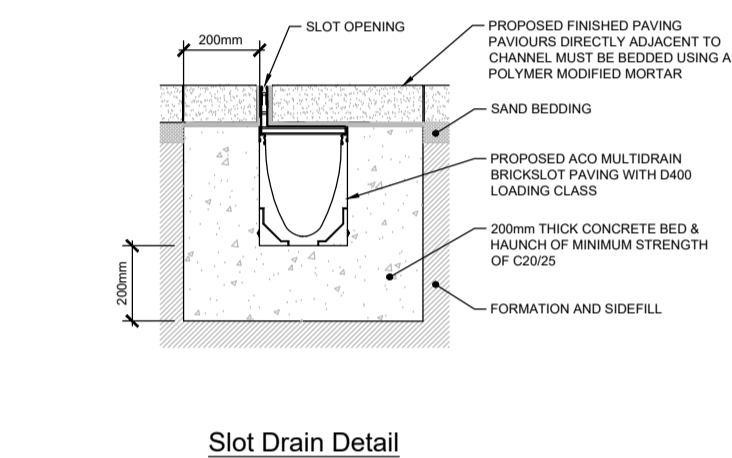


Approved compressible material
Joint in Concrete Surround to Flexible Jointed Spigot & Socket Pipes
Scale 1:20

Construction Details for Concrete Bed & Surround to Surface Water Drain
Scale 1:20

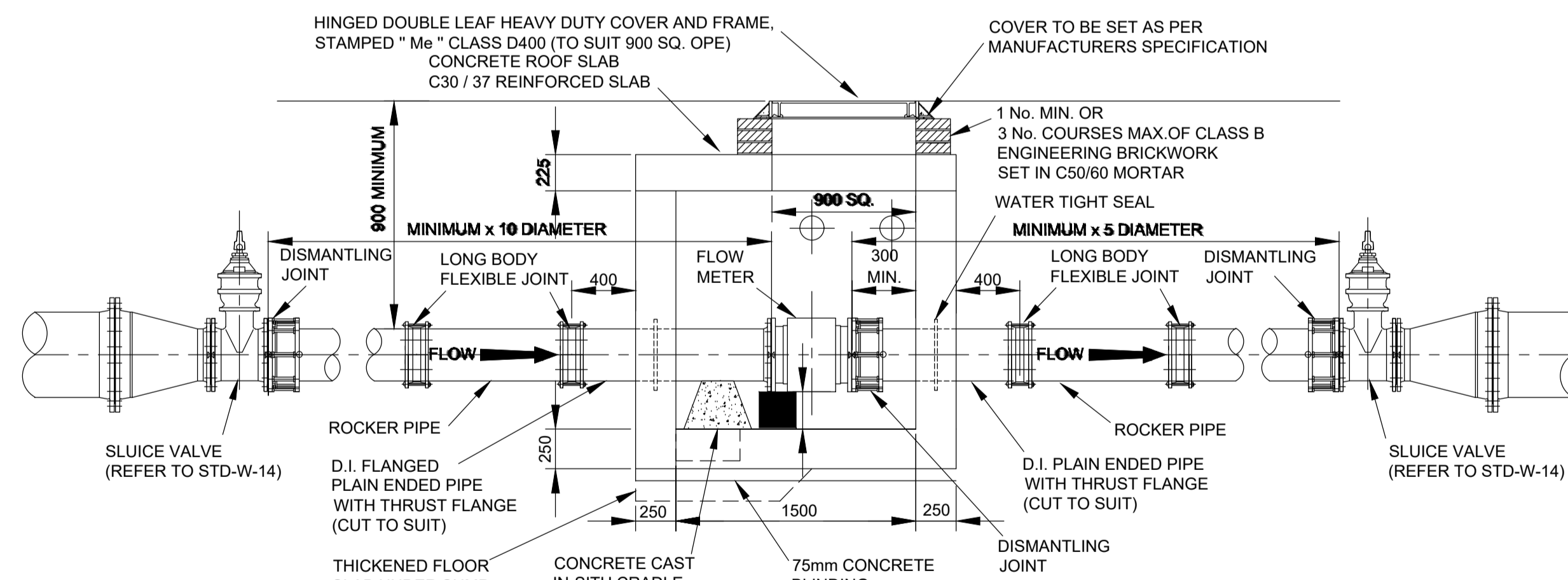
Note:
Orientation of gully to be coordinated on site

**Section G-G
Precast Concrete Corner Manhole**
(If over 3.0m deep use shaft as for deep manhole) (Scale 1:20)
SUMP 400mm x 400mm x 200mm DEEP



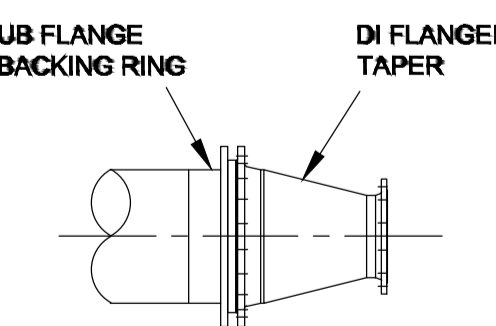
Proposed Road Gully
Scale 1:20

FLOOR PLAN

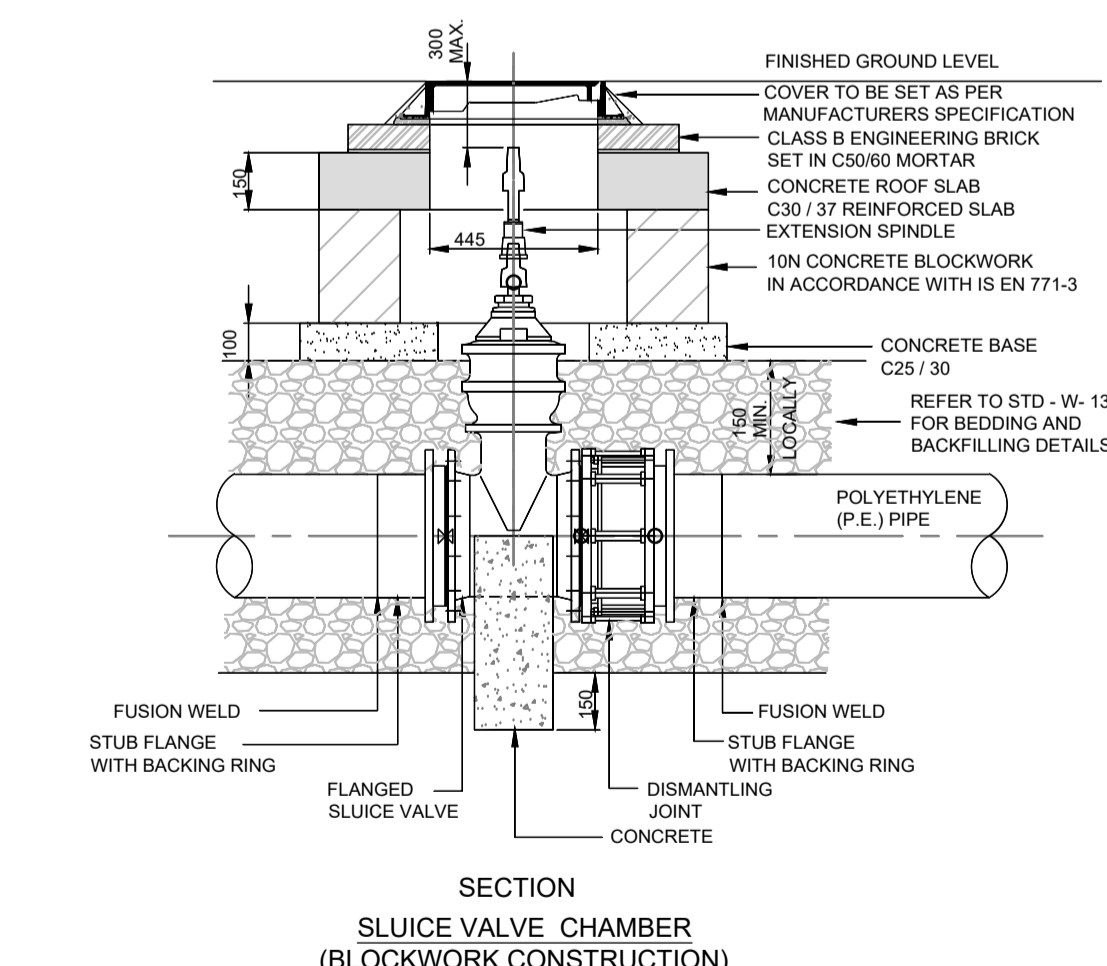


**SECTION
BULK WATER METER CHAMBER**

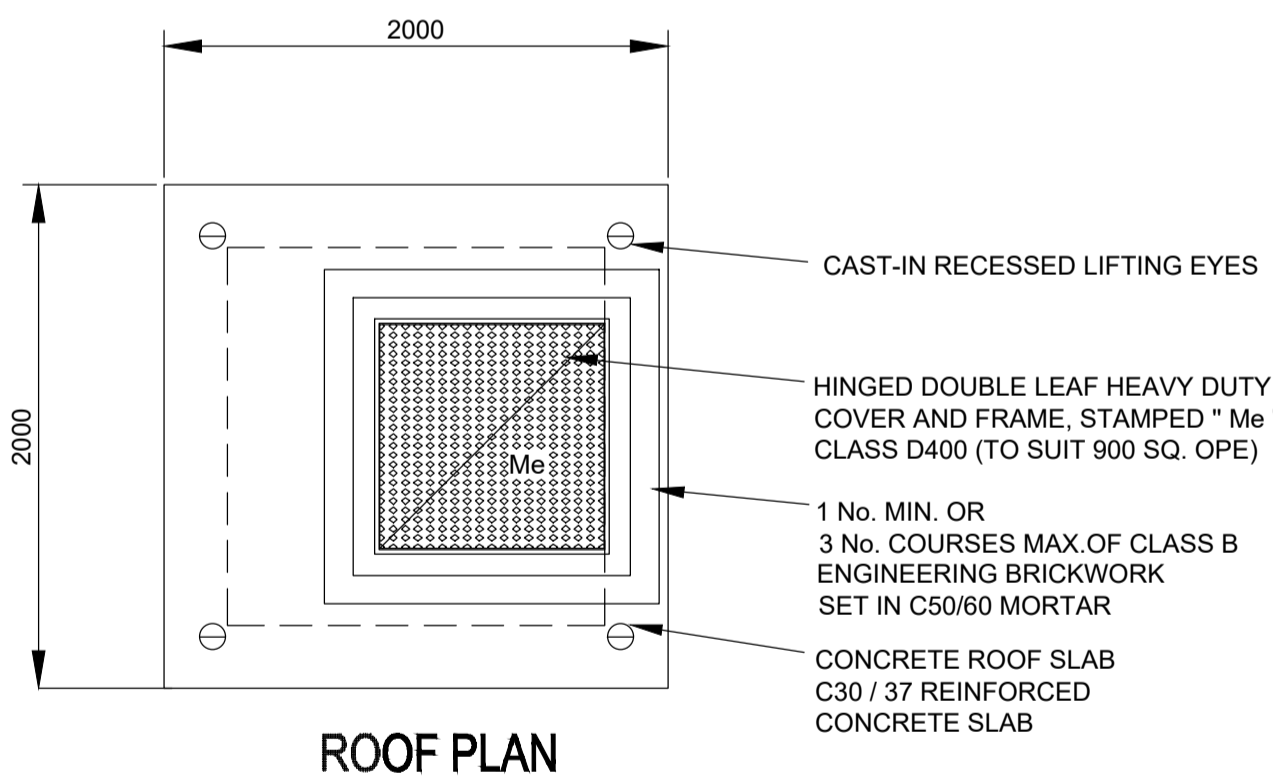
Refer to Irish Water Standard Details STD-W-26 For Details of Water Meter Connection Variants



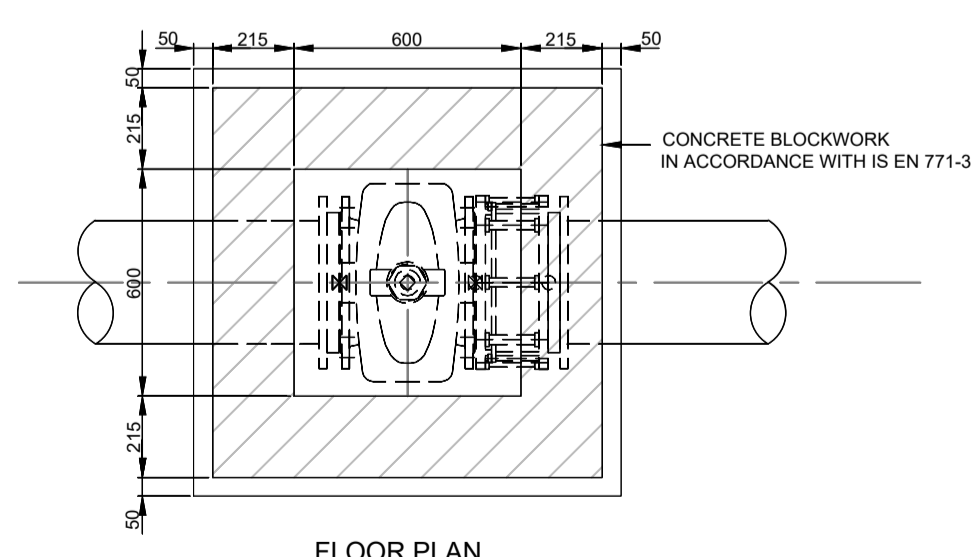
PE TO DI DETAIL



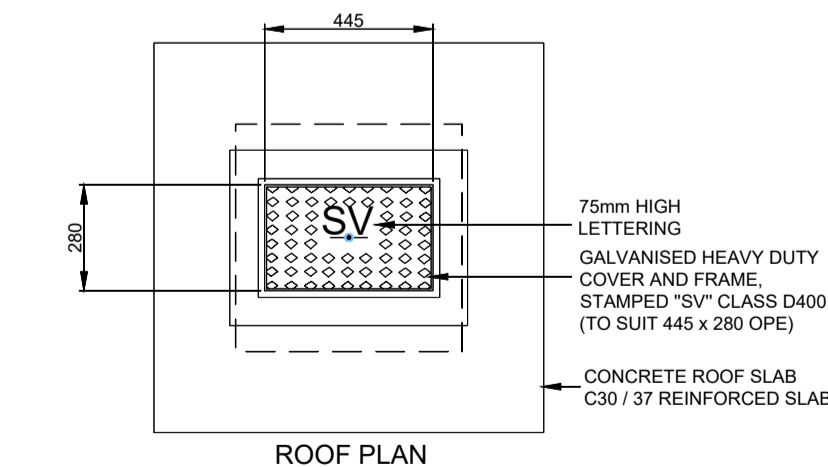
Refer to Irish Water Standard Details STD-W-15 For Details of Sluice Valve Connection For PE Pipework



ROOF PLAN



FLOOR PLAN



ROOF PLAN

PL 1	13/03/20	SB	MM	EJL
Issued for Planning				
Rev	Date	By	Chkd	Appd

ARUP
One Albert Quay
Cork, Ireland
Tel +353 (0)21 422 3200
www.arup.com



Client
GreenLink Interconnector

Project Title
GreenLink Interconnector

Scale at A1
As Shown

Role
Civil

Suitability
Planning

Arup Job No
246369

Name
C-CS-061

Rev
PL1